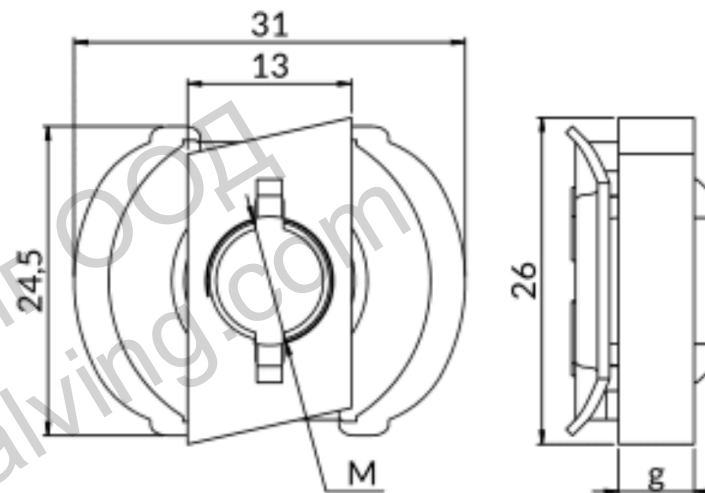
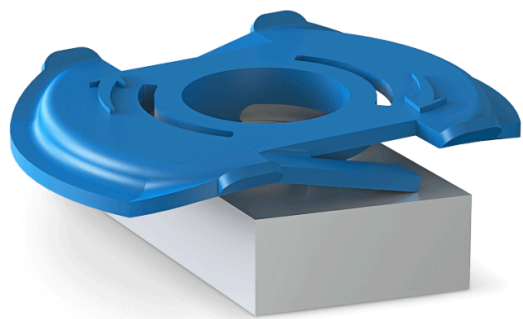


Slide nut EZIP3



● Corrosion protection: galvanic zinc coating

For profiles	Thread M	Dimensions g [mm]	Unit weight [kg]	Quantity in package	Measurement unit	Order designation	Catalog number
A, C, W, X	M6	5	0.012	100	szt./pcs.	EZIP3M6	81140300600
A, C, W, X	M8	5	0.012	100	szt./pcs.	EZIP3M8	81140300800
A, C, W, X	M10	6	0.012	100	szt./pcs.	EZIP3M10	81140301000